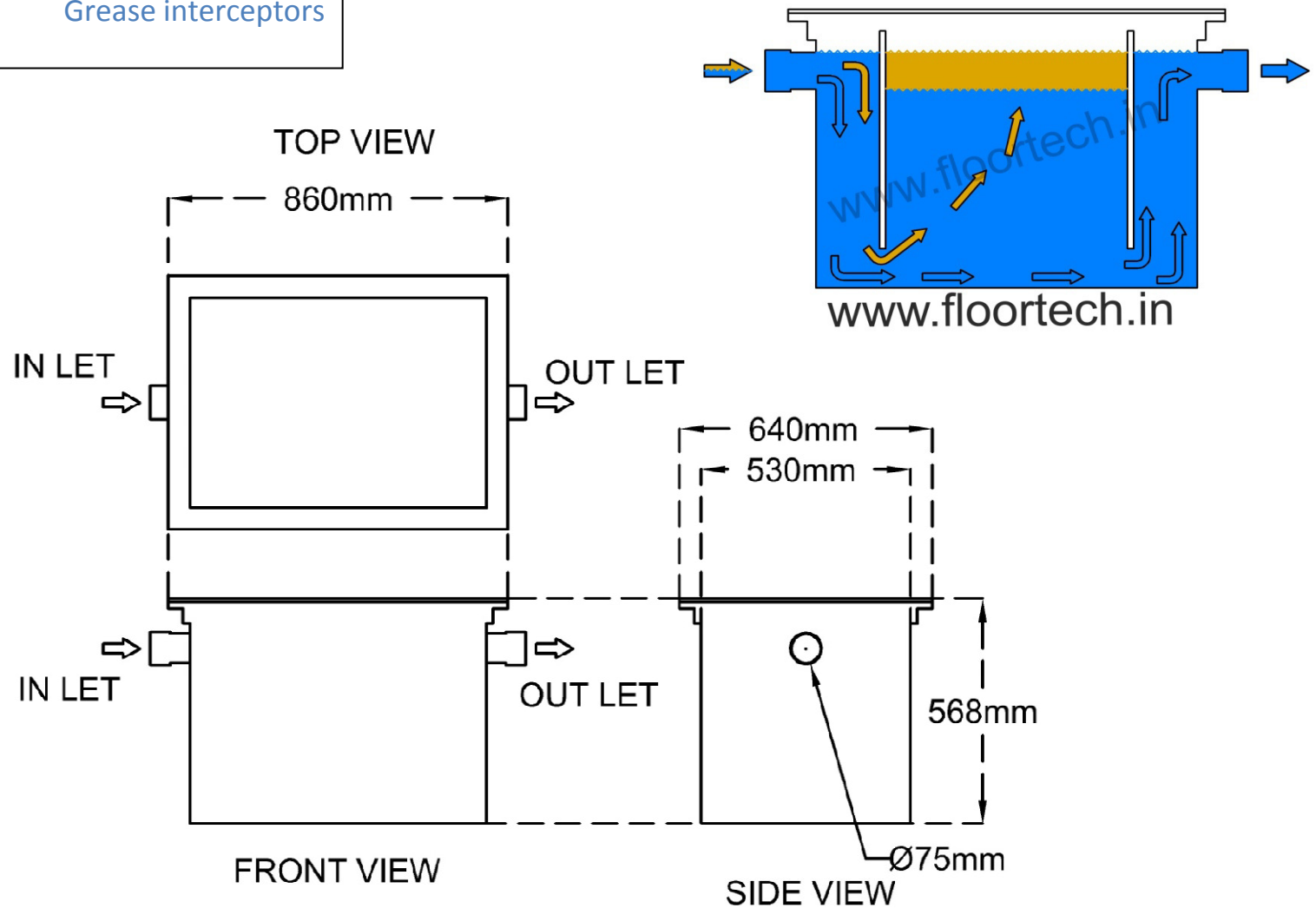


FLOORTECH PVC FABRICATORS

Grease interceptors

Model no: FTF-GI-50



- 2 ½" inch or 75mm diameter inlet and outlet pipe with coupling end is provided.
- With grease interceptor capacity 50 Gallons per Minute (GPM) or 3 Liters per Second (LPS) or 190 Liters per Minute.
- Since the product is fabricated out of plastic, all the above mentioned dimensions are approximate.