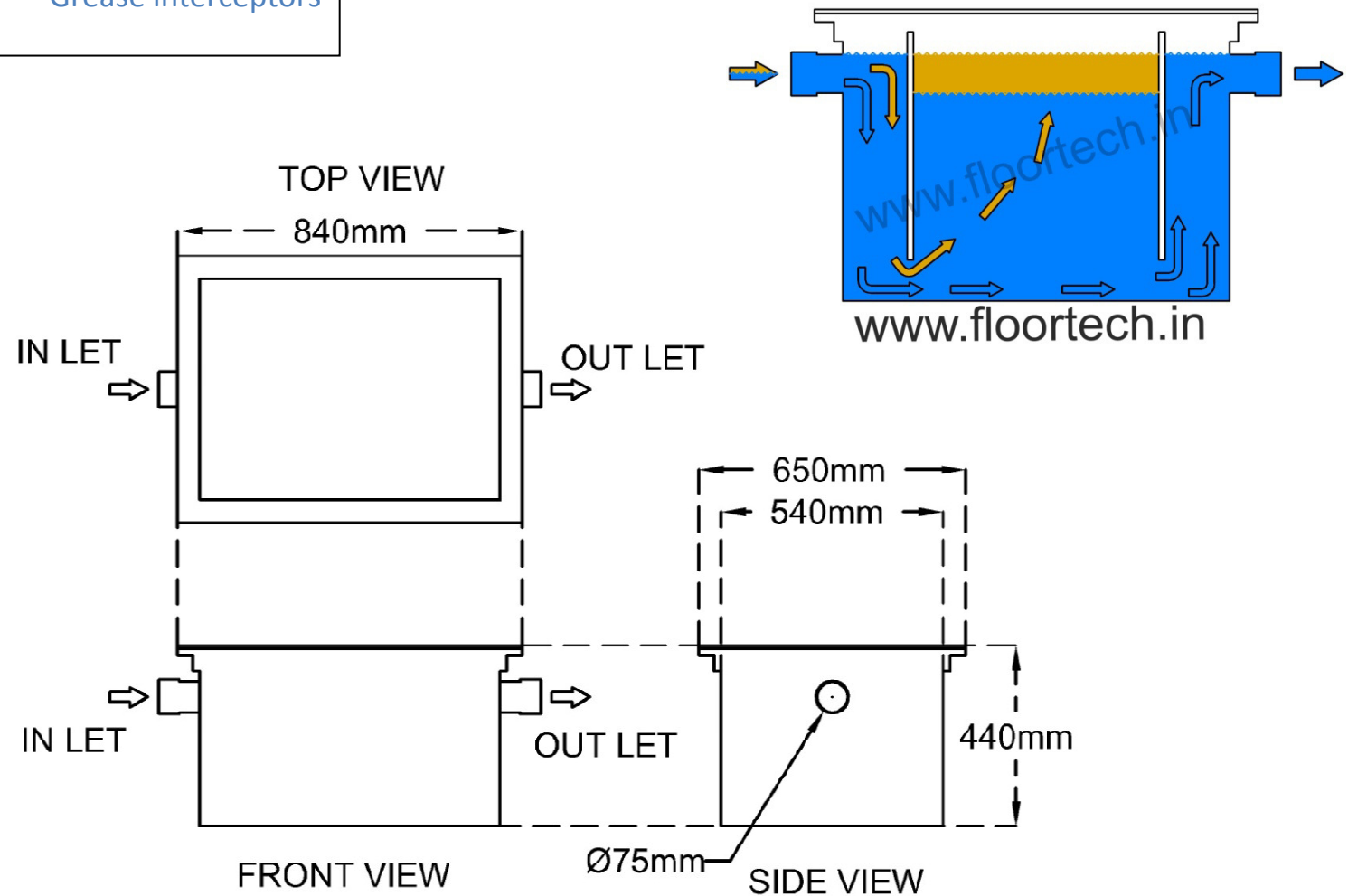


FLOORTECH PVC FABRICATORS

Grease interceptors

Model no: FTF-GI-35



- 2 ½" inch or 75mm diameter inlet and outlet pipe with coupling end is provided.
- With grease interceptor capacity 35 Gallons per Minute (GPM) or 2.2 Liters per Second (LPS) or 132 Liters per Minute.
- Since the product is fabricated out of plastic, all the above mentioned dimensions are approximate.