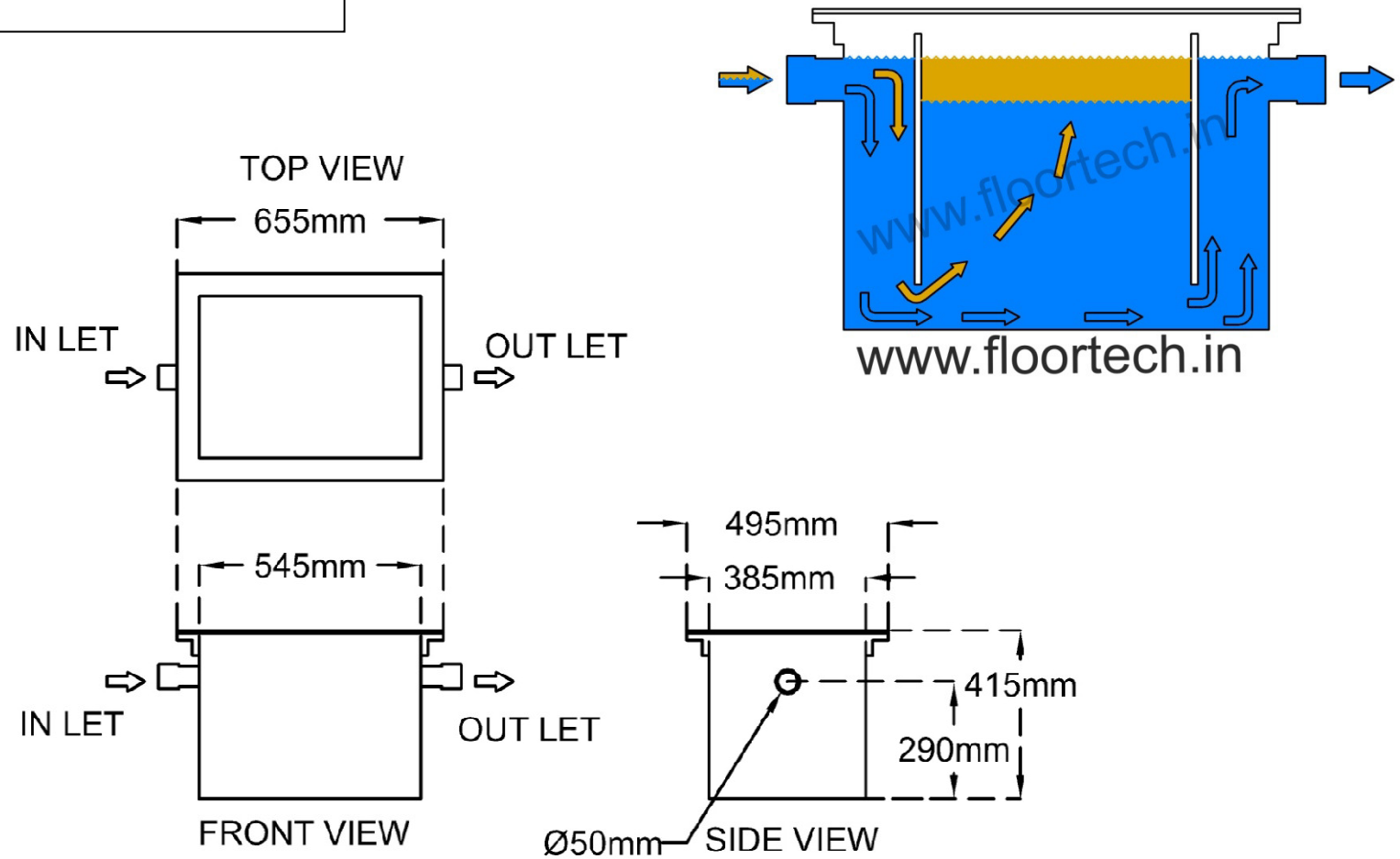


FLOORTECH PVC FABRICATORS

Grease interceptors

Model no: FTF-GI-20



- 2" inch or 50mm diameter inlet and outlet pipe with coupling end is provided.
- With grease interceptor capacity 20 Gallons per Minute (GPM) or 1.26 Liters per Second (LPS) or 75.7 Liters per Minute.
- Since the product is fabricated out of plastic, all the above mentioned dimensions are approximate.